

Planet drop-down seals

 **SWISS MADE**

Planet **MinE-F** – now available for all rebated doors!

NEW

suitable for:

- low energy houses ✓
- passive buildings ✓
- ventilation system ✓
- wet rooms ✓
- airlock doors ✓
- for flush and rebated doors ✓



Planet GDZ AG
Neustadtstrasse 2
CH-8317 Tagelswangen / ZH
Switzerland

Phone +41 43 266 22 22
Fax +41 43 266 22 23
mail@planet.ag
www.planet.ag

 **Planet** ^{swiss} [®] **70** JAHRE
YEARS
ANS
The door sealing experts

Planet MinE



SOUND dB



FIRE FH



LIGHT



CIRCULATION



VENTILATION



SAVING ENERGY



BARRIER FREE



EMERGENCY EXIT



EVEN



UNEVEN



7 YEARS WARRANTY

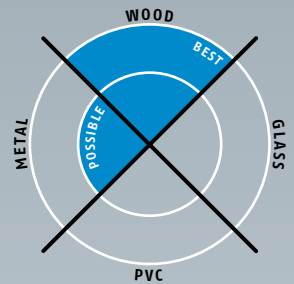


if ROSENHEIM



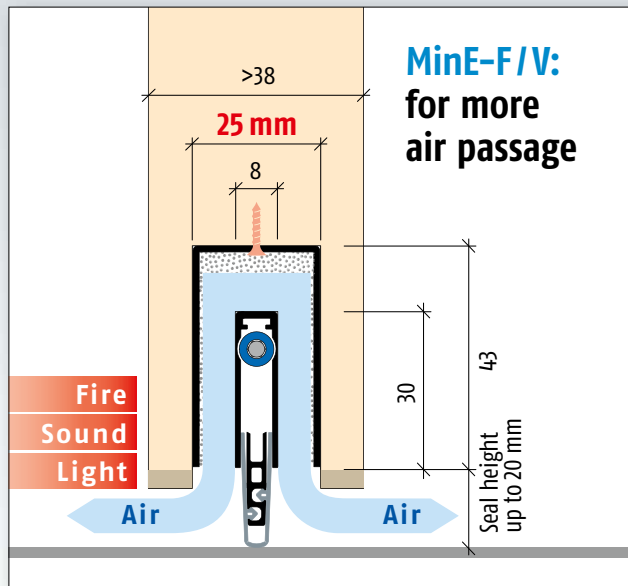
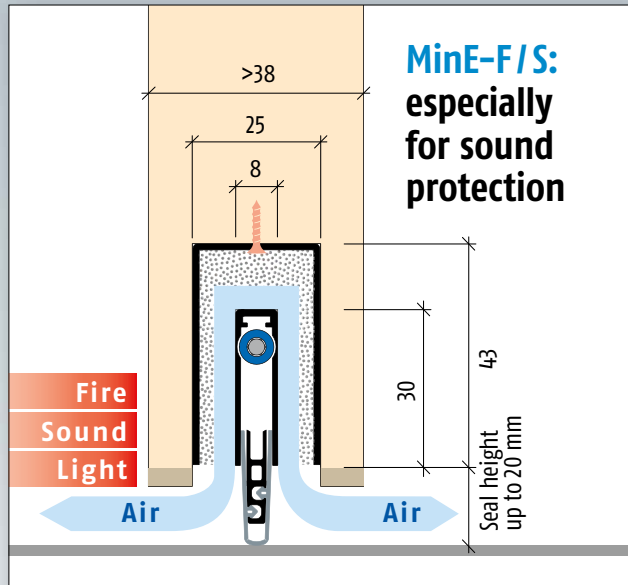
MPA NEW
Manufacturergesamt für Holz- und Metalltüren
geprüft und überwacht
Nr.: 12.5742.01

DOOR MATERIALS



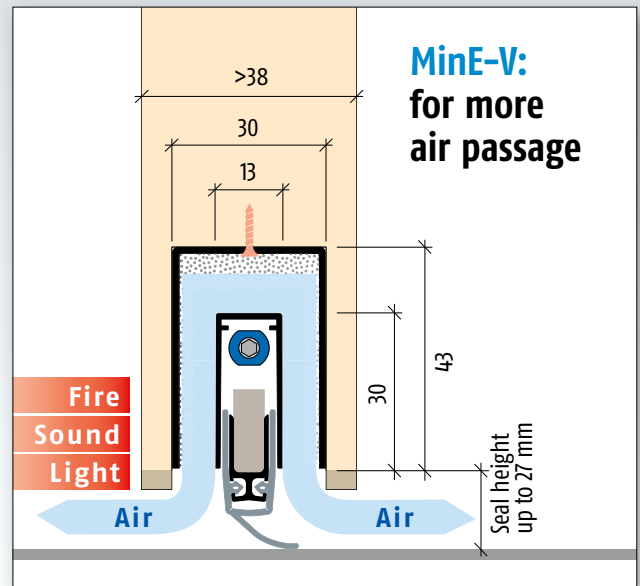
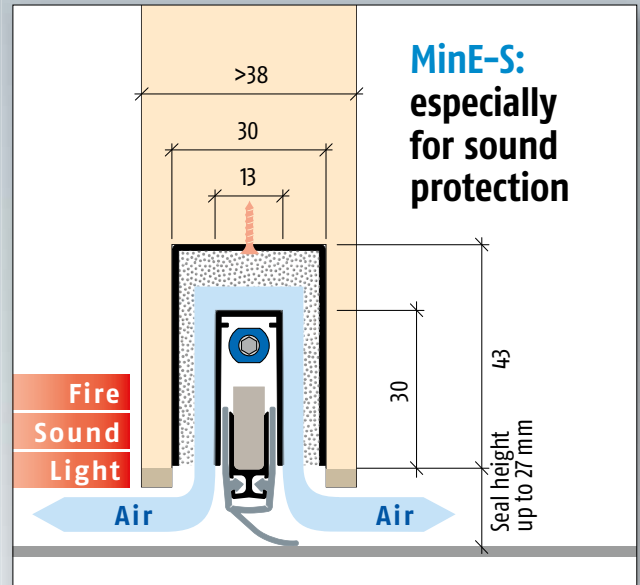
Planet MinE-F (S+V)

→ rebated doors



Planet MinE (S+V)

→ flush doors



Technical specifications

Sound absorption value	MinE-F/S: up to ≤ 27 dB at an air gap of 7 mm MinE-F/V: up to ≤ 23 dB at an air gap of 7 mm
Air passage	MinE-F/S: 30 m ³ /h at a pressure difference of 3,9 Pa (door width 1050 mm) MinE-F/V: 40 m ³ /h at a pressure difference of 3,2 Pa (door width 1050 mm)
Lift adjustment	via the release knob using a 3 mm Allen key
Lengths in stock	335, 460, 585, 710, 835, 960, 1085, 1210, 1335, 1460 mm

Technical specifications

Sound absorption value	MinE-S: up to ≤ 27 dB at an air gap of 7 mm MinE-V: up to ≤ 23 dB at an air gap of 7 mm
Air passage	MinE-S: 30 m ³ /h at a pressure difference of 3,9 Pa (door width 1050 mm) MinE-V: 40 m ³ /h at a pressure difference of 3,2 Pa (door width 1050 mm)
Lift adjustment	via the release knob using a 3 mm Allen key
Lengths in stock	335, 460, 585, 710, 835, 960, 1085, 1210, 1335, 1460 mm

Application field for Planet MinE

Low energy houses, passive buildings with → ventilation systems

THE PROBLEM WITHOUT PLANET

- door gap not closed
- no light and sound protection
- no discretion / privacy

THE SOLUTION WITH PLANET MinE

- door gap closed, invisible solution
- sound and light protection



For rooms with air compensation, toilet and wet rooms

THE PROBLEM WITHOUT PLANET

- door gap not closed
- possibly with ventilation grille
- noise penetrate outwards

THE SOLUTION WITH PLANET MinE

- sound protection
- no ventilation grille, invisible solution
- discretion / privacy, door gap closed
- air circulation, moisture escapes



More discretion / privacy for your toilet and bathroom

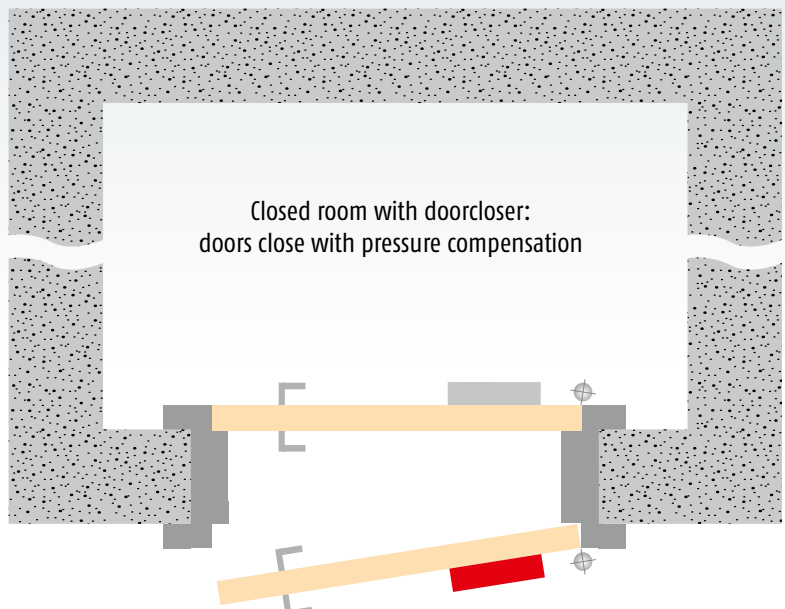
Closed room or airlock doors

THE PROBLEM WITH A REGULAR PLANET DROP DOWN SEAL

- door can't close, air can't escape
- no air circulation / no pressure compensation

THE SOLUTION WITH PLANET MinE

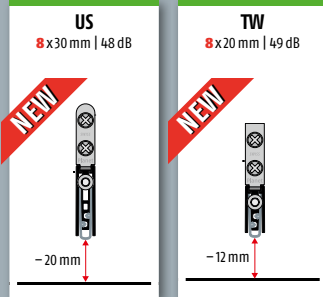
- door closes, air escapes
- air circulation / pressure compensation
- air escapes even if the window is open or not



Planet drop-down seals – we have solutions for all door types and -materials!

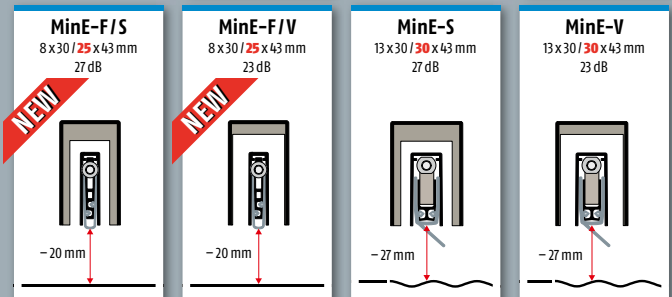
8 x 30 / 20 mm

for wood, metal and PVC



8 x 30 / 25 x 43 mm

for wood and metal

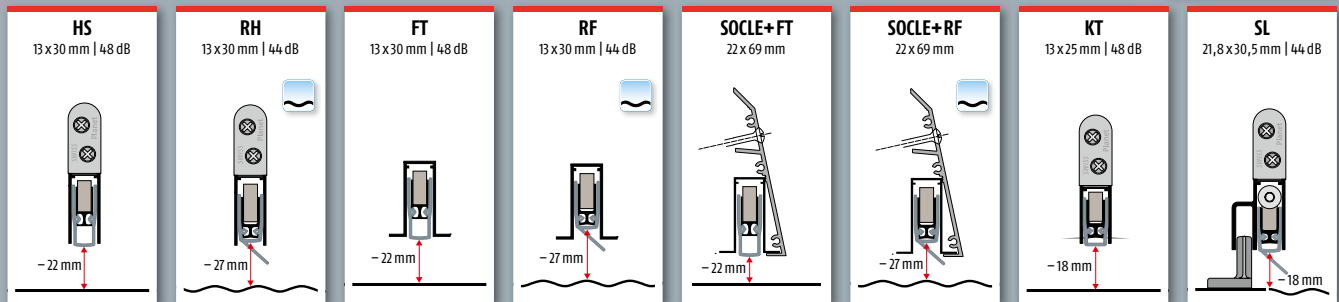


13 x 30 / 30 x 43 mm

for wood and metal

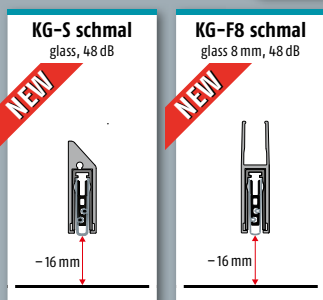
13 x 25 / 30 mm

for wood, metal and PVC



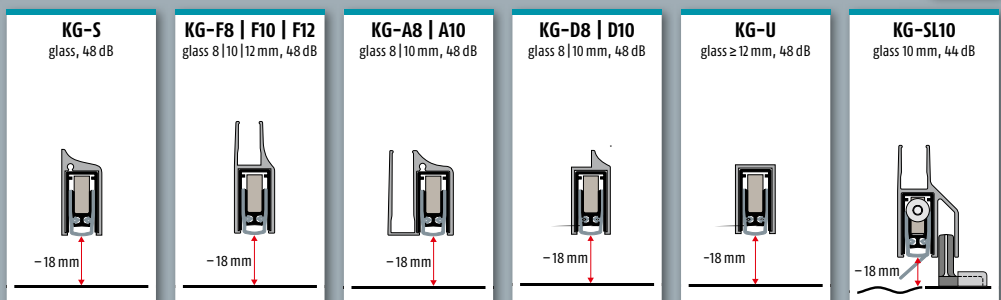
11,5 x 38 / 46 mm

for glass



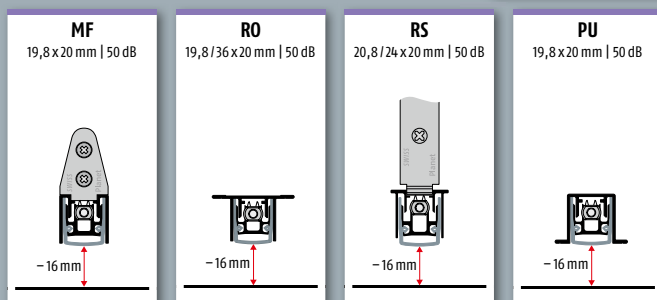
16,5 x 35 / 46 / 52 mm

for glass



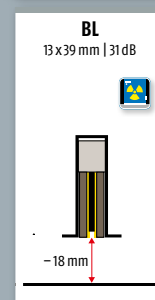
20 x 20 mm

for metal, PVC and wood



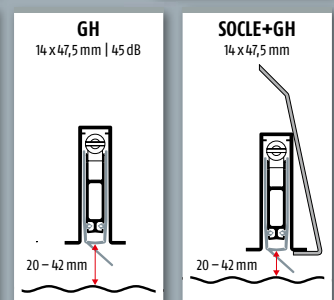
13 x 39 mm

for wood and metal



14 x 47,5 mm

for wood, metal and PVC



Option:  all drop-down seals are suitable for uneven floors