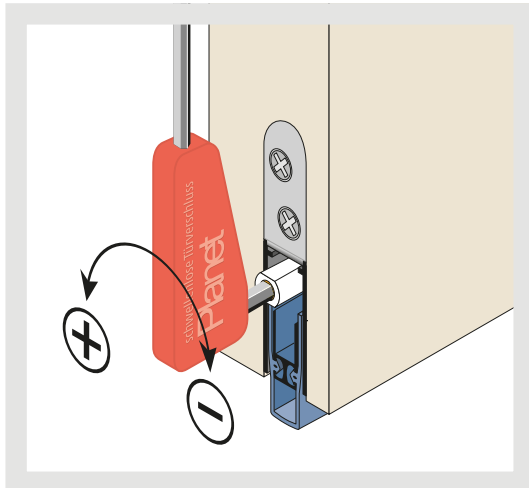


Drop height adjustment of the Planet drop-down seals

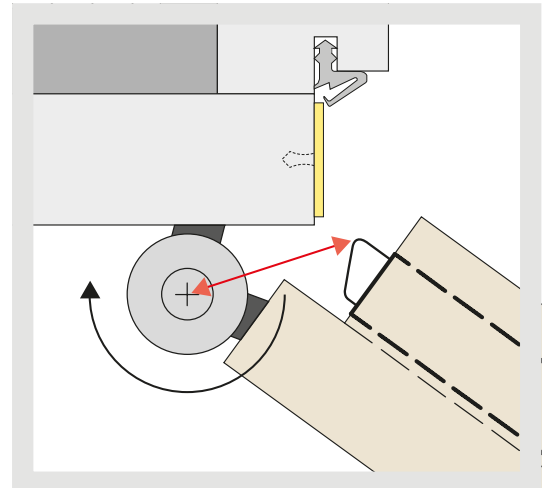
Release knob always on hinge side for double-leaf / folding doors, on lock side for sliding doors

Precise adjustment:

By turning the release knob with 3 mm Allen key



- ⊕ high drop height, large floor gap
- ⊖ small drop height, small floor gap



Correct final position of the release knob, the pin is away from the hinge pivot.

Please observe: Adjust the drop height until the silicone lip tightens well on the floor at closed door. Avoid any pressure carried out to the floor. If the bottom gap of the door is light-tight, you have achieved maximum noise insulation.

Simply smart – the Planet release knob

