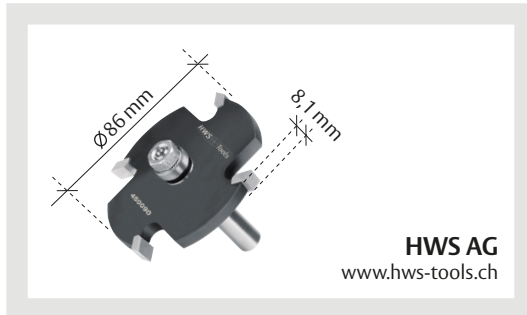


Milling cutters / routing aid

Tools/auxiliary aids for efficient machining of Planet seals, width 8 and 13 mm
(To obtain from the professional trade).

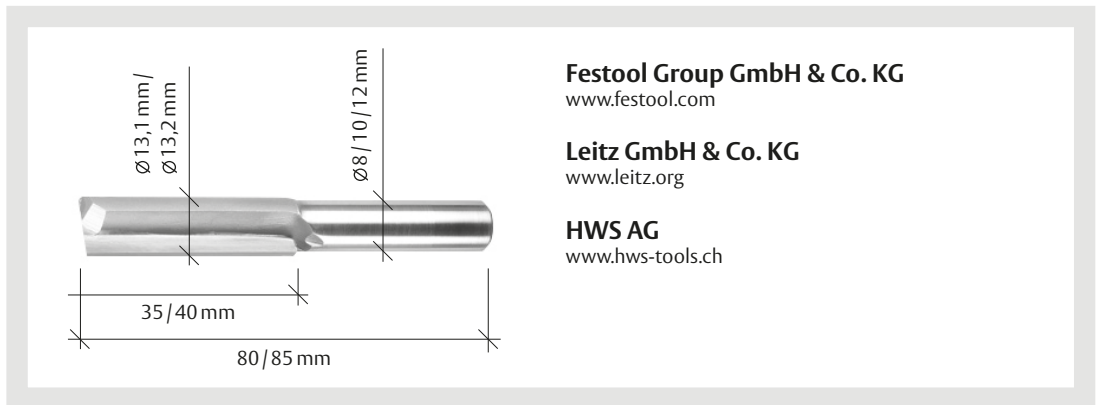
Indexable mini-plates 8,1 mm and 13,1 mm:

With and without
stopping bearing,
right-hand rota-
tion, for hand mill-
ing machines, for manual
forward fee



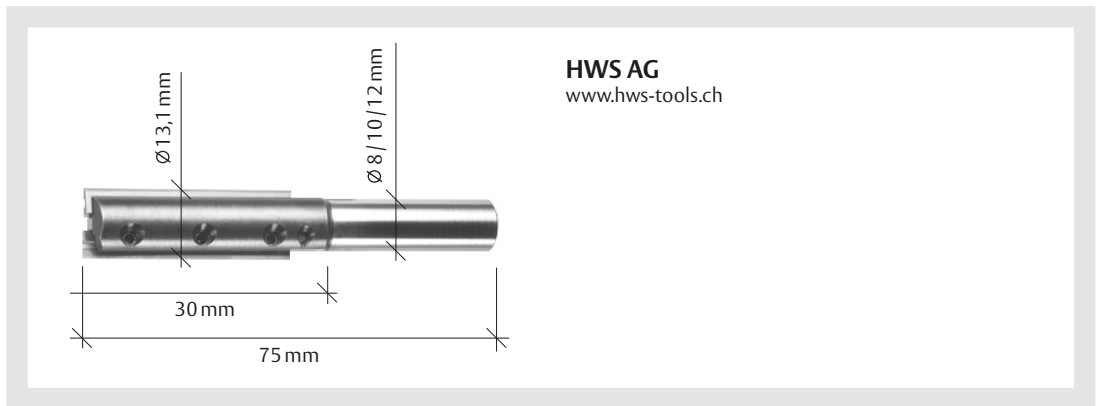
Grooving cutter:

Right-hand rota-
tion, for hand mill-
ing machines, for manual
forward feed



Indexable mini- plates:

Right-hand rota-
tion, for hand mill-
ing machines, for manual
forward feed



Routing aid: Appropriate for all Festool Milling



Assistance for all Festool routers, for milling
of narrow wood sections. Using the sliding jig
tool, the router is securely guided along
narrow door edges.