

Shorten the Planet drop-down seals

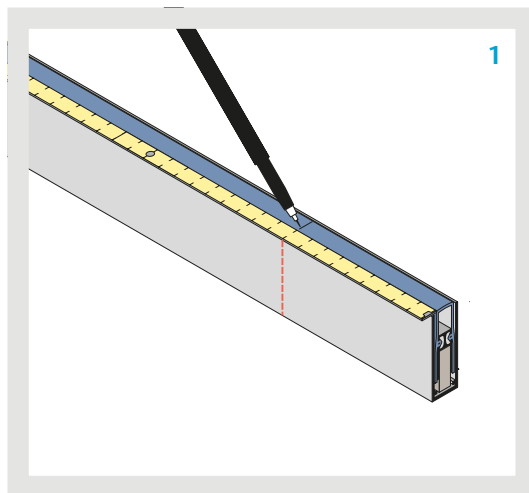
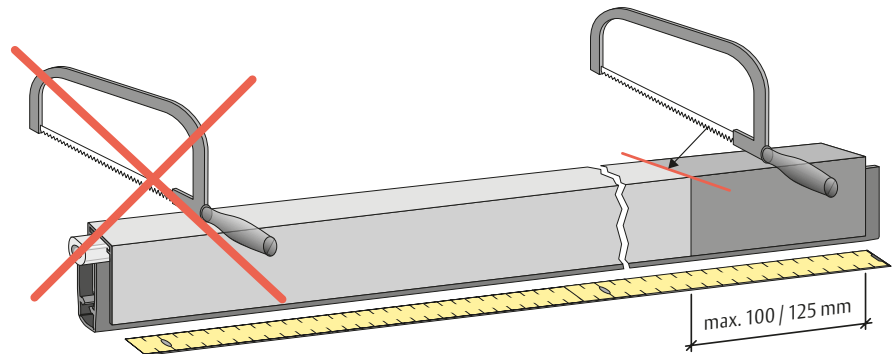
Example to shorten the Planet HS

Shortening dimension:

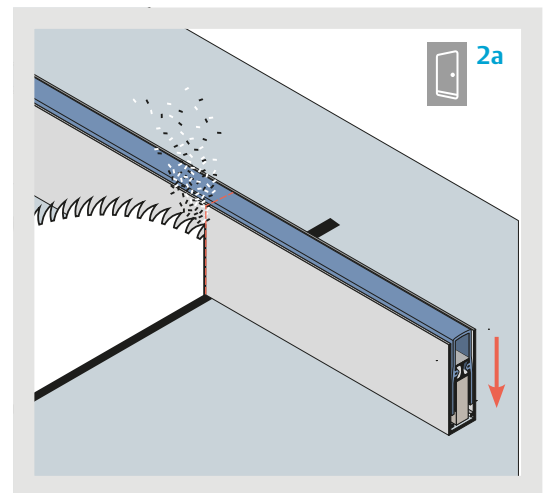
Max. 100 mm:
Planet FT, RF, GH, BL

Max. 125 mm:
Planet HS, RH, KG, MF,
RO, PU, SL

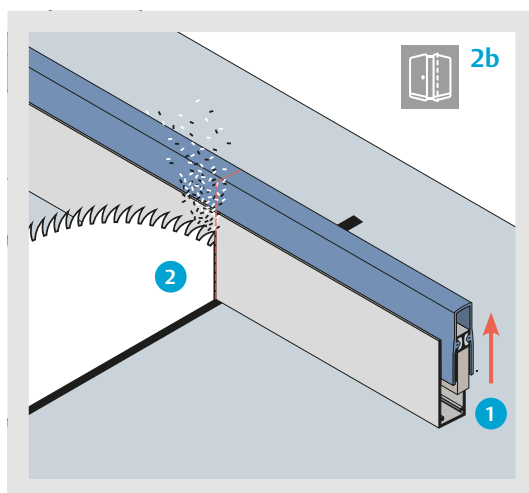
Never shorten on the
release knob side!



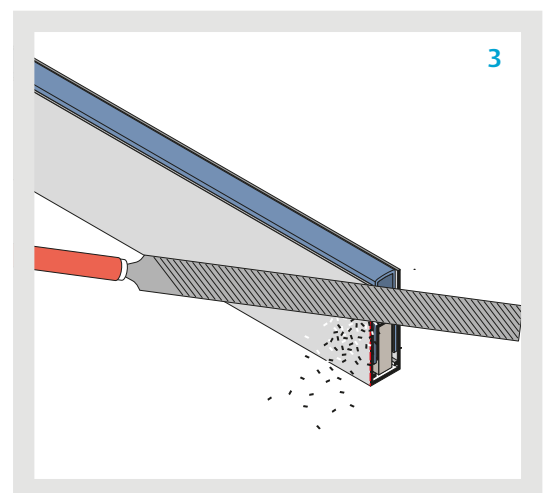
Mark the location of cut



Single-wing applications. Shorten with circular or hand saw.



Double-wing applications or a small fold air on lock side: Shorten the seal in released condition.



Deburr the edges and remove the sawdust.