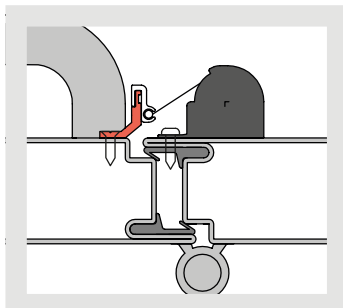


# Roller protector mounting options: order examples

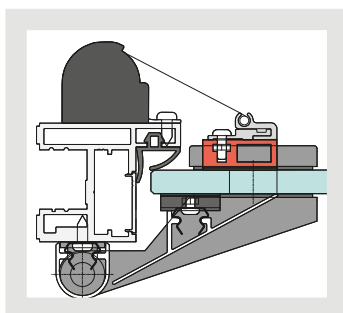
Panic hardware,  
pushbar,  
bar handle



## Order example

1x	Roller protector FSR 6000 [Quick] or FSR7000 [Outdoor]
1x	Mounting profile LP1

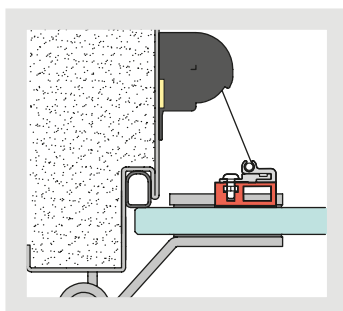
All-glass door



## Order example

1x	Roller protector FSR 6000 [Quick]
1x	Base profile FSR-RG1

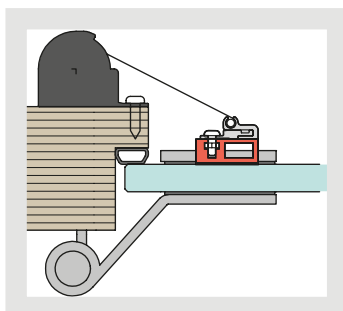
Glass door,  
filled steel frame



## Order example

1x	Roller protector FSR 6000 [Quick] or FSR7000 [Outdoor]
1x	Base profile FSR-RG1
1x	Adhesive kit S

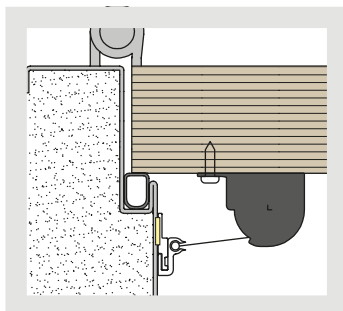
Glass door,  
wrap-around  
frame



## Order example

1x	Roller protector FSR 6000 [Quick] or FSR7000 [Outdoor]
1x	Base profil FSR-RG1

Wooden door,  
filled steel  
frame



## Order example

1x	Roller protector FSR 6000 [Quick] or FSR7000 [Outdoor]
1x	Adhesive kit S